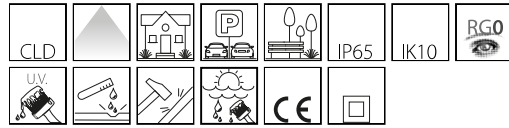


1533 - Faro 2 LED - small

Code: 510260-00

GENERAL INFORMATION



Article	1533 - Faro 2 LED - small
Code	510260-00

DIMENSIONS AND WEIGHT

Height (mm)	500 mm
Diameter (Ø) (mm)	100 mm
Weight (Kg)	2 kg

ELECTRICAL CHARACTERISTICS AND CONTROLS

Voltage type	AC
Min Voltage (V)	220 V
Max Voltage (V)	240 V
Min Frequency (Hz)	50 Hz
Max Frequency (Hz)	60 Hz
Frequency (Hz)	50 Hz
Wiring name	CLD
Power factor	≥0.9
Insulation class	Class II
Controllability	None



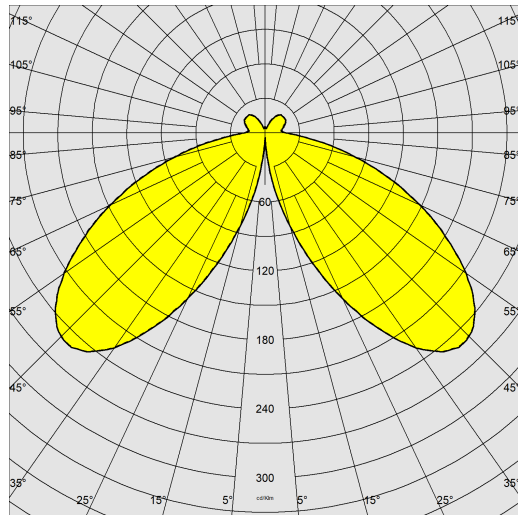
In addition to functional aspects, outdoor lighting must also take into account aesthetics. Disano has therefore expanded the Faro series to include a LED version. It is a small-size luminaire with the right light beam management can create pleasant and elegant settings. This luminaire was designed for installation on a steel column and as a wall lamp.



1533 - Faro 2 LED - small

Code: 510260-00

PHOTOMETRIC DATA



Lighting source	LED
CRI	80
Luminous flux (output) (lm)	424 lm
Power absorption (total) (W)	5 W
CCT	4000 K
Luminous efficacy (lm/W)	85 lm/W
LED flux maintenance	50000 hr, L 90, B 10

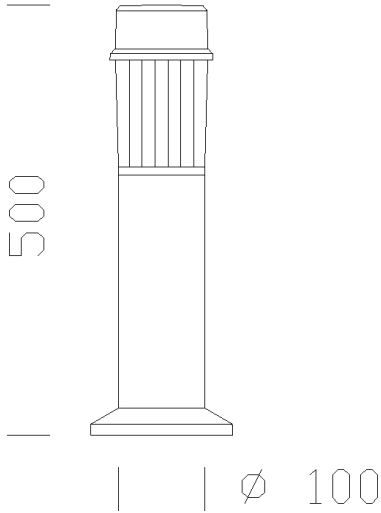
MECHANICAL CHARACTERISTICS

Impact resistance rating (IK)	IK10
IP	65



1533 - Faro 2 LED - small

Code: 510260-00



DOWNLOAD

MOUNTS

[AssemblyInstructions_faro2_02-23.pdf](#)

DESIGNS

[BIM_1533_Faro_2_LED.zip](#)

[TechnicalDrawing_1533.dxf](#)

[TechnicalDrawing3D_disano_1533_faro_2.3ds](#)



MATERIALS AND COLOURS

Housing	in extruded aluminium, cylindrical cross-section with a diam. of 100 mm, die-cast cover.
Diffuser	in polycarbonate, transparent, grooved on the inside and smooth on the outside, dustproof.
Ground connection (base)	in fibreglass nylon, shatterproof.
Coating	the fully automated powder-coating cycle involves a polyester-based, salt-spray corrosion-resistant and UV-stabilised paint.
Special coating (UPON REQUEST)	Upon request: protective coating recommended for marine environments within 5 km (3 miles) of the sea.
Colour	Graphite
Equipment	- with air circulation valve. - complete with waterproof connector for line connection.

STANDARDS AND COMPLIANCE

Photobiological safety class	RG0
Markings and tests	CE
Reference standards	EN60598-1. They have a degree of protection according to the EN60529 standard.
Energy Label	F

WARRANTY

After sales warranty	5 yr
----------------------	------