

## 1878 - Portofino - small

Code: 511180-2191

### GENERAL INFORMATION



Article	1878 - Portofino - small
Code	511180-2191

### DIMENSIONS AND WEIGHT

Height (mm)	320 mm
Diameter (Ø) (mm)	140 mm
Weight (Kg)	1.3 kg

### ELECTRICAL CHARACTERISTICS AND CONTROLS

Voltage type	AC
Min Voltage (V)	220 V
Max Voltage (V)	240 V
Min Frequency (Hz)	50 Hz
Max Frequency (Hz)	60 Hz
Frequency (Hz)	50 Hz
Wiring name	CLD
Power factor	≥0.9
Insulation class	Class I
Controllability	None



#### Portofino: pleasant aesthetics with maximum functionality

A touch of prestige for any residential setting, with the most energy-efficient lighting technologies. Portofino is a bollard for driveways, parks and pedestrian walkways. Produced in different wall-mounted versions, heights (150, 300 and 600 mm) and diameters, it also features a version with a flat diffuser and 3 versions with a domed diffuser, this bollard is the right solution for any lighting project.

The latest generation of high-efficiency LED sources, with a colour temperature of 4000K and a high colour rendering index, ensure a long lifespan.

Portofino also stands out for the high quality materials, with a die-cast aluminum body and column with cooling fins, IP65 protection rating, and a shatterproof and self-extinguishing polycarbonate diffuser. It comes with a connector for connection to the power line and the base plate for wall installation.



## 1878 - Portofino - small

Code: 511180-2191

### PHOTOMETRIC DATA



Lighting source	LED
CRI	>80
Luminous flux (output) (lm)	801 lm
Power absorption (total) (W)	10 W
CCT	4000 K
Luminous efficacy (lm/W)	80 lm/W
LED flux maintenance	50000 hr, L 70, B 50

### MECHANICAL CHARACTERISTICS

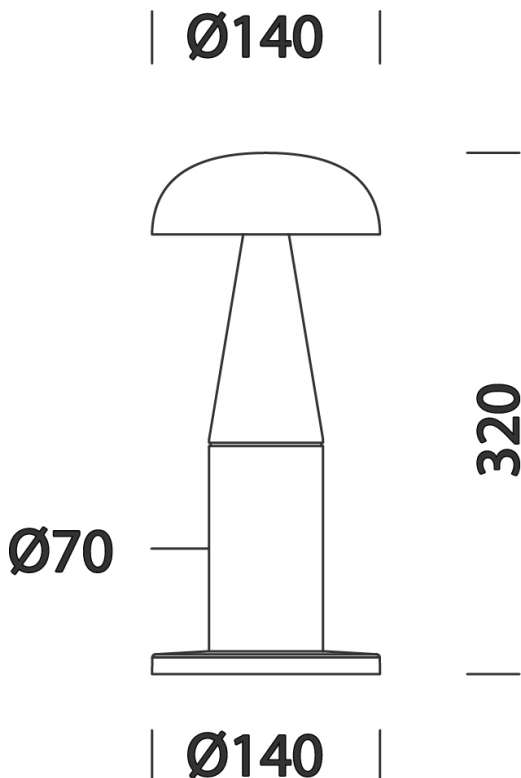
Impact resistance rating (IK)	IK08
IP	65



## 1878 - Portofino - small

Code: 511180-2191

### MATERIALS AND COLOURS



Housing	in die-cast aluminium. Column in extruded aluminium.
Diffuser	in polycarbonate, transparent, anti-glare, shatterproof and V2 self-extinguishing, UV stabilised.
Ground connection (base)	in die-cast aluminium with internal reinforcement ribs.
Coating	pre-treatment of metal surface, polyester powder coating to ensure resistance to corrosion and salt spray fogs, UV stabilised.
Colour	Corten
Equipment	- with air circulation valve. - complete with waterproof connector for line connection.

### STANDARDS AND COMPLIANCE

Photobiological safety class	RG0
Markings and tests	CE
Reference standards	EN60598-1. With degree of protection according to EN60529.
Energy Label	F

### WARRANTY

After sales warranty	3 yr
----------------------	------

### DOWNLOAD

#### MOUNTS

[AssemblyInstructions portofino 09-21.pdf](#)

#### DESIGNS

[BIM 1878 Portofino.zip](#)

[TechnicalDrawing 1878.dxf](#)

[TechnicalDrawing3D disano 1878 portofino.3ds](#)



## 1878 - Portofino - small

---

Code: 511180-2191



121 Spike