

1878 - Portofino - small

Code: 511180-39



Portofino: pleasant aesthetics with maximum functionality

A touch of prestige for any residential setting, with the most energy-efficient lighting technologies. Portofino is a bollard for driveways, parks and pedestrian walkways. Produced in different wall-mounted versions, heights (150, 300 and 600 cm) and diameters, it also features a version with a flat diffuser and 3 versions with a domed diffuser, this bollard is the right solution for any lighting project.

The latest generation of high-efficiency LED sources, with a colour temperature of 4000K and a high colour rendering index, ensure a long lifespan.

Portofino also stands out for the high quality materials, with a die-cast aluminum body and column with cooling fins, IP65 protection rating, and a shatterproof and self-extinguishing polycarbonate diffuser. It comes with a connector for connection to the power line and the base plate for wall installation.



GENERAL INFORMATION

Article	1878 - Portofino - small
Code	511180-39

DIMENSIONS AND WEIGHT

Length (mm)	190 mm
Width (mm)	140 mm
Height (mm)	320 mm
Diameter (Ø) (mm)	320 mm
Weight (Kg)	1.3 kg

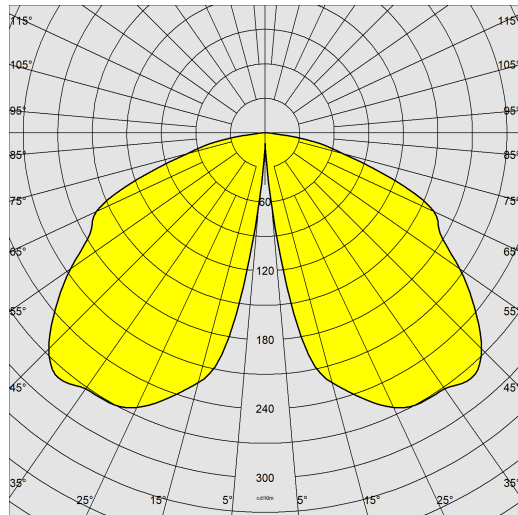
ELECTRICAL CHARACTERISTICS AND CONTROLS

Voltage type	AC
Min Voltage (V)	220 V
Max Voltage (V)	240 V
Min Frequency (Hz)	50 Hz
Max Frequency (Hz)	60 Hz
Frequency (Hz)	50 Hz
Wiring name	CLD
Power factor	≥0.9
Insulation class	Class I
Controllability	None

1878 - Portofino - small

Code: 511180-39

PHOTOMETRIC DATA



Lighting source	LED
CRI	>80
Luminous flux (output) (lm)	745 lm
Power absorption (total) (W)	10 W
CCT	3000 K
Luminous efficacy (lm/W)	75 lm/W
LED flux maintenance	50000 hr, L 70, B 50

MECHANICAL CHARACTERISTICS

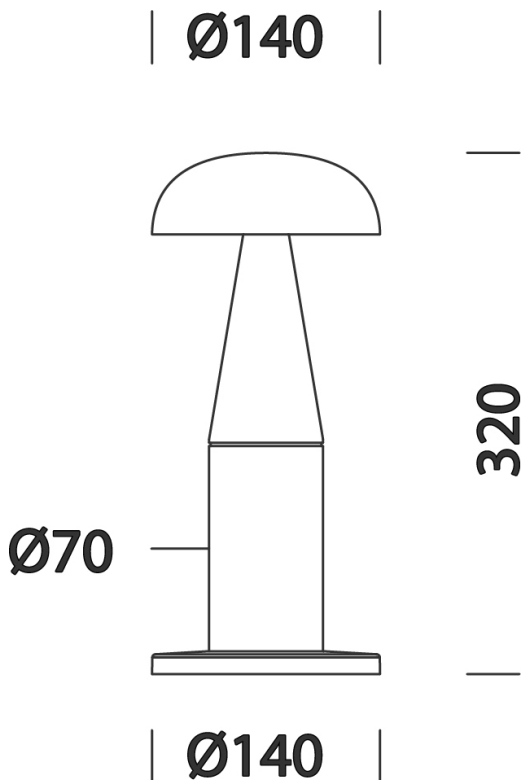
Impact resistance rating (IK)	IK08
IP	65



1878 - Portofino - small

Code: 511180-39

MATERIALS AND COLOURS



Housing	in die-cast aluminium. Column in extruded aluminium.
Diffuser	in polycarbonate, transparent, anti-glare, shatterproof and V2 self-extinguishing, UV stabilised.
Ground connection (base)	in die-cast aluminium with internal reinforcement ribs.
Coating	pre-treatment of metal surface, polyester powder coating to ensure resistance to corrosion and salt spray fogs, UV stabilised.
Colour	Graphite
Equipment	- with air circulation valve. - complete with waterproof connector for line connection.

STANDARDS AND COMPLIANCE

Photobiological safety class	RG0
Markings and tests	CE
Reference standards	EN60598-1. With degree of protection according to EN60529.
Energy Label	F

WARRANTY

After sales warranty	3 yr
----------------------	------

DOWNLOAD

MOUNTS

[AssemblyInstructions portofino 09-21.pdf](#)

DESIGNS

[BIM 1878 Portofino.zip](#)

[TechnicalDrawing 1878.dxf](#)

[TechnicalDrawing3D disano 1878 portofino.3ds](#)



1878 - Portofino - small

Code: 511180-39

