

1879 - Portofino - medium

Code: 511190-00

GENERAL INFORMATION



| | |
|---------|---------------------------|
| Article | 1879 - Portofino - medium |
| Code | 511190-00 |

DIMENSIONS AND WEIGHT

| | |
|-------------------|--------|
| Height (mm) | 620 mm |
| Diameter (Ø) (mm) | 140 mm |
| Weight (Kg) | 1.7 kg |

ELECTRICAL CHARACTERISTICS AND CONTROLS

| | |
|--------------------|---------|
| Voltage type | AC |
| Min Voltage (V) | 220 V |
| Max Voltage (V) | 240 V |
| Min Frequency (Hz) | 50 Hz |
| Max Frequency (Hz) | 60 Hz |
| Frequency (Hz) | 50 Hz |
| Wiring name | CLD |
| Power factor | ≥0.9 |
| Insulation class | Class I |
| Controllability | None |



Portofino: pleasant aesthetics with maximum functionality

A touch of prestige for any residential setting, with the most energy-efficient lighting technologies. Portofino is a bollard for driveways, parks and pedestrian walkways. Produced in different wall-mounted versions, heights (150, 300 and 600 mm) and diameters, it also features a version with a flat diffuser and 3 versions with a domed diffuser, this bollard is the right solution for any lighting project.

The latest generation of high-efficiency LED sources, with a colour temperature of 4000K and a high colour rendering index, ensure a long lifespan.

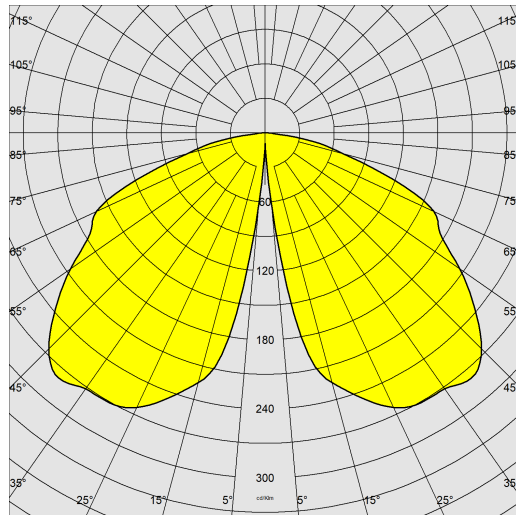
Portofino also stands out for the high quality materials, with a die-cast aluminum body and column with cooling fins, IP65 protection rating, and a shatterproof and self-extinguishing polycarbonate diffuser. It comes with a connector for connection to the power line and the base plate for wall installation.



1879 - Portofino - medium

Code: 511190-00

PHOTOMETRIC DATA



| | |
|------------------------------|----------------------|
| Lighting source | LED |
| CRI | >80 |
| Luminous flux (output) (lm) | 801 lm |
| Power absorption (total) (W) | 10 W |
| CCT | 4000 K |
| Luminous efficacy (lm/W) | 80 lm/W |
| LED flux maintenance | 50000 hr, L 70, B 50 |

MECHANICAL CHARACTERISTICS

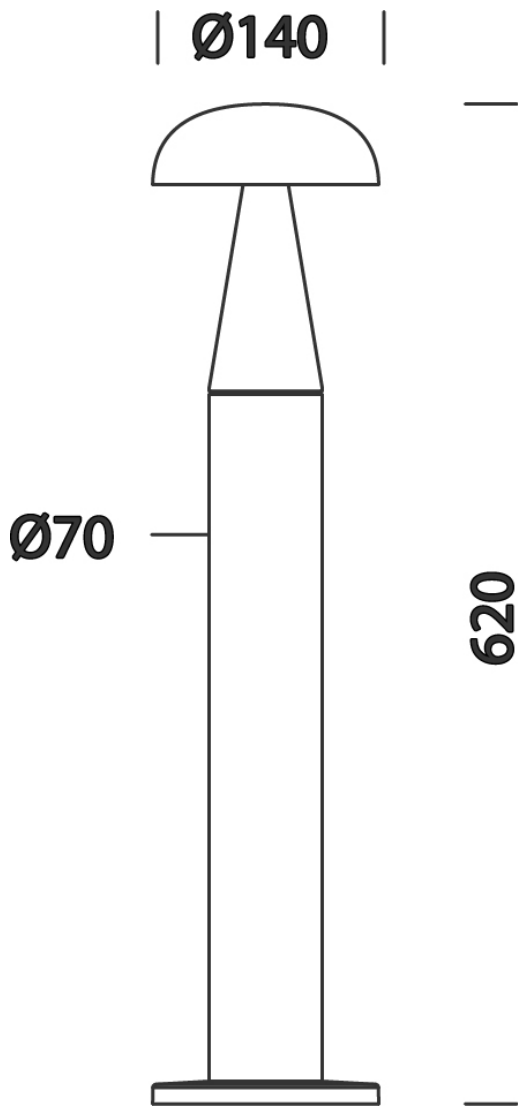
| | |
|-------------------------------|------|
| Impact resistance rating (IK) | IK08 |
| IP | 65 |



1879 - Portofino - medium

Code: 511190-00

MATERIALS AND COLOURS



| | |
|--------------------------------|--|
| Housing | in die-cast aluminium. Column in extruded aluminium. |
| Diffuser | in polycarbonate, transparent, anti-glare, shatterproof and V2 self-extinguishing, UV stabilised. |
| Ground connection (base) | in die-cast aluminium with internal reinforcement ribs. |
| Coating | pre-treatment of metal surface, polyester powder coating to ensure resistance to corrosion and salt spray fogs, UV stabilised. |
| Special coating (UPON REQUEST) | Upon request: protective coating recommended for marine environments within 5 km (3 miles) of the sea. |
| Colour | Graphite |
| Equipment | - with air circulation valve. - complete with waterproof connector for line connection. |

STANDARDS AND COMPLIANCE

| | |
|------------------------------|--|
| Photobiological safety class | RG0 |
| Markings and tests | CE |
| Reference standards | EN60598-1. With degree of protection according to EN60529. |
| Energy Label | F |

WARRANTY

| | |
|----------------------|------|
| After sales warranty | 3 yr |
|----------------------|------|

DOWNLOAD

MOUNTS

[AssemblyInstructions portofino 09-21.pdf](#)

DESIGNS

[BIM 1879 Portofino.zip](#)

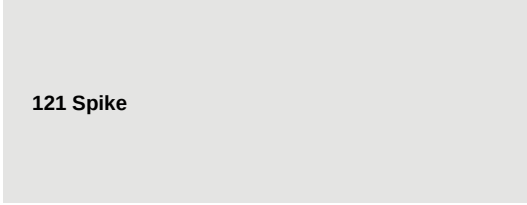
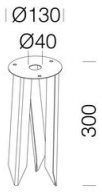
[TechnicalDrawing 1879.dxf](#)

[TechnicalDrawing3D disano 1879 portofino.3ds](#)



1879 - Portofino - medium

Code: 511190-00



121 Spike