

1879 - Portofino - medium

Code: 511190-39

GENERAL INFORMATION



Article	1879 - Portofino - medium
Code	511190-39

DIMENSIONS AND WEIGHT

Height (mm)	620 mm
Diameter (Ø) (mm)	140 mm
Weight (Kg)	1.7 kg

ELECTRICAL CHARACTERISTICS AND CONTROLS

Voltage type	AC
Min Voltage (V)	220 V
Max Voltage (V)	240 V
Min Frequency (Hz)	50 Hz
Max Frequency (Hz)	60 Hz
Frequency (Hz)	50 Hz
Wiring name	CLD
Power factor	≥0.9
Insulation class	Class I
Controllability	None



Portofino: pleasant aesthetics with maximum functionality

A touch of prestige for any residential setting, with the most energy-efficient lighting technologies. Portofino is a bollard for driveways, parks and pedestrian walkways. Produced in different wall-mounted versions, heights (150, 300 and 600 mm) and diameters, it also features a version with a flat diffuser and 3 versions with a domed diffuser, this bollard is the right solution for any lighting project.

The latest generation of high-efficiency LED sources, with a colour temperature of 4000K and a high colour rendering index, ensure a long lifespan.

Portofino also stands out for the high quality materials, with a die-cast aluminum body and column with cooling fins, IP65 protection rating, and a shatterproof and self-extinguishing polycarbonate diffuser. It comes with a connector for connection to the power line and the base plate for wall installation.



1879 - Portofino - medium

Code: 511190-39

PHOTOMETRIC DATA



Lighting source	LED
CRI	>80
Luminous flux (output) (lm)	745 lm
Power absorption (total) (W)	10 W
CCT	3000 K
Luminous efficacy (lm/W)	75 lm/W
LED flux maintenance	50000 hr, L 70, B 50

MECHANICAL CHARACTERISTICS

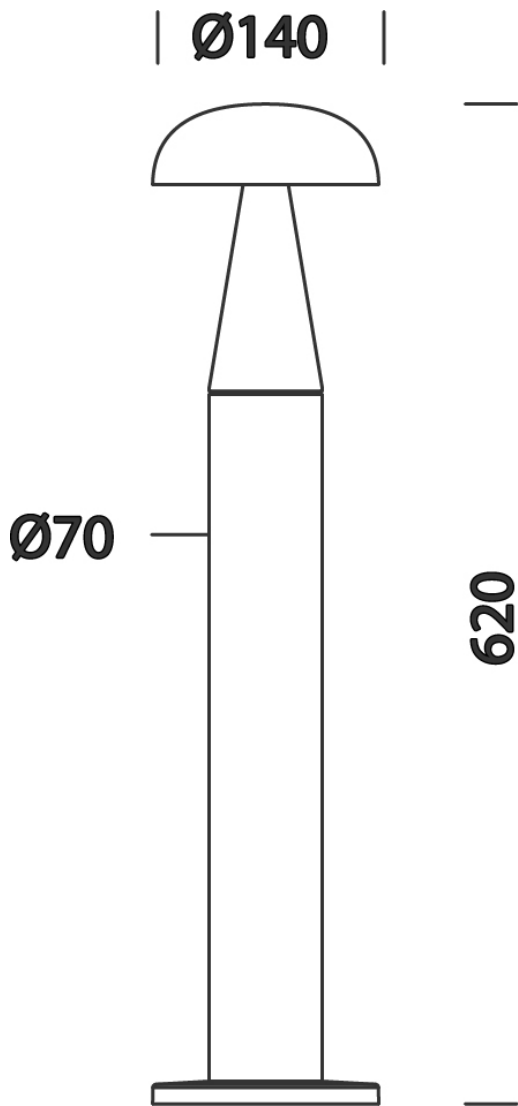
Impact resistance rating (IK)	IK08
IP	65



1879 - Portofino - medium

Code: 511190-39

MATERIALS AND COLOURS



Housing	in die-cast aluminium. Column in extruded aluminium.
Diffuser	in polycarbonate, transparent, anti-glare, shatterproof and V2 self-extinguishing, UV stabilised.
Ground connection (base)	in die-cast aluminium with internal reinforcement ribs.
Coating	pre-treatment of metal surface, polyester powder coating to ensure resistance to corrosion and salt spray fogs, UV stabilised.
Special coating (UPON REQUEST)	Upon request: protective coating recommended for marine environments within 5 km (3 miles) of the sea.
Colour	Graphite
Equipment	- with air circulation valve. - complete with waterproof connector for line connection.

STANDARDS AND COMPLIANCE

Photobiological safety class	RG0
Markings and tests	CE
Reference standards	EN60598-1. With degree of protection according to EN60529.
Energy Label	F

WARRANTY

After sales warranty	3 yr
----------------------	------

DOWNLOAD

MOUNTS

[AssemblyInstructions portofino 09-21.pdf](#)

DESIGNS

[BIM 1879 Portofino.zip](#)

[TechnicalDrawing 1879.dxf](#)

[TechnicalDrawing3D disano 1879 portofino.3ds](#)



1879 - Portofino - medium

Code: 511190-39



121 Spike