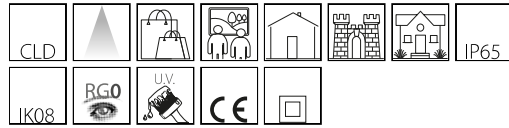


# 1676 - Spy

Code: 530683-00

## GENERAL INFORMATION



Article	1676 - Spy
Code	530683-00

## DIMENSIONS AND WEIGHT

Length (mm)	72 mm
Width (mm)	98 mm
Height (mm)	220 mm
Weight (Kg)	0.4 kg

## INSTALLATION

Recessed dimensions - Length (mm)	244 mm
Recessed dimensions - Width (mm)	96 mm

## ELECTRICAL CHARACTERISTICS AND CONTROLS

Voltage type	AC
Min Voltage (V)	220 V
Max Voltage (V)	240 V
Min Frequency (Hz)	50 Hz
Max Frequency (Hz)	60 Hz
Frequency (Hz)	50 Hz
Wiring name	CLD
Wiring	With built-in driver.
Power factor	≥0.9
Insulation class	Class II
Controllability	None



1676 Spy



## 1676 - Spy

Code: 530683-00

### PHOTOMETRIC DATA



Lighting source	LED
CRI	80
Power absorption (total) (W)	1.2 W
CCT	4000 K
Beam angle	24 °
LED flux maintenance	25000 hr, L 70, B 50

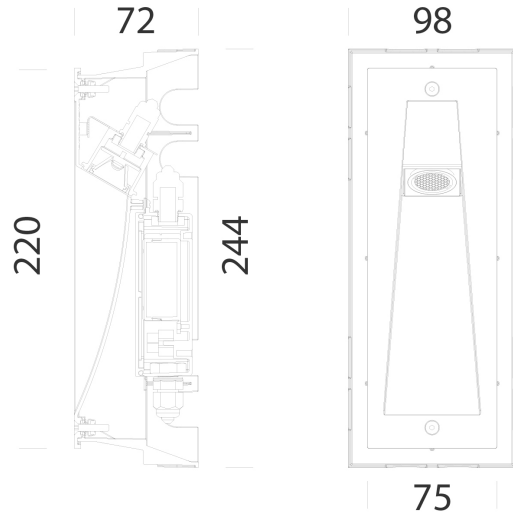
### MECHANICAL CHARACTERISTICS

Impact resistance rating (IK)	IK08
IP	65

# 1676 - Spy

Code: 530683-00

## MATERIALS AND COLOURS



## DOWNLOAD

### MOUNTS

[AssemblyInstructions spy 04-23.pdf](#)

### DESIGNS

[TechnicalDrawing 1676b.dxf](#)



Housing	in die-cast aluminium.
Coating	the fully automated powder-coating cycle involves a polyester-based, salt-spray corrosion-resistant and UV-stabilised paint.
Special coating (UPON REQUEST)	Upon request: protective coating recommended for marine environments within 5 km (3 miles) of the sea.
Colour	Grey
Equipment	silicone and EPDM rubber sealing gasket.

## STANDARDS AND COMPLIANCE

Photobiological safety class	RG0
Markings and tests	CE
Reference standards	EN60598-1. They have a degree of protection according to the EN60529 standard.
Energy Label	D

## WARRANTY

After sales warranty	3 yr
----------------------	------