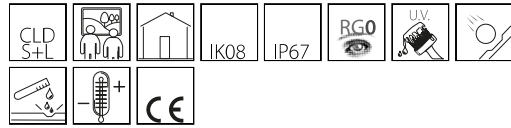


1637 - Starled - with eyelid shield

Code: 530770-00

GENERAL INFORMATION



| | |
|---------|-------------------------------------|
| Article | 1637 - Starled - with eyelid shield |
| Code | 530770-00 |

DIMENSIONS AND WEIGHT

| | |
|-------------------|--------|
| Height (mm) | 112 mm |
| Diameter (Ø) (mm) | 95 mm |
| Weight (Kg) | 0.3 kg |

ELECTRICAL CHARACTERISTICS AND CONTROLS

| | |
|------------------|---|
| Voltage type | AC |
| Voltage (V) | 230 V |
| Frequency (Hz) | 0 Hz |
| Wiring name | CLD-S+L |
| Wiring | power supply 220-240V 50/60Hz with external transformer acc. 179. Cable with insulation class 3. |
| Power factor | ≥0.9 |
| Insulation class | Class III |
| Controllability | None |



Starled is a family of in-ground recessed LED fixtures designed to offer maximum versatility. Available in round and square versions, with different types of lenses, it allows the light output to be tailored to any design requirement. Ideal for enhancing pathways, façades, and outdoor spaces, it ensures durability, reliability, and precise, controlled lighting. A complete solution that combines flexibility, quality, and design.



1637 - Starled - with eyelid shield

Code: 530770-00

PHOTOMETRIC DATA



| | |
|------------------------------|----------------------|
| Lighting source | LED |
| CRI | 75 |
| Luminous flux (output) (lm) | 60 lm |
| Power absorption (total) (W) | 1 W |
| CCT | 4000 K |
| Luminous efficacy (lm/W) | 60 lm/W |
| LED flux maintenance | 50000 hr, L 70, B 50 |

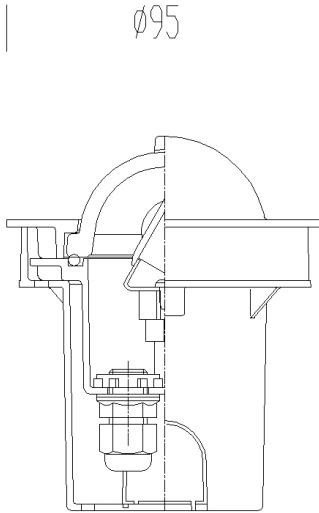
MECHANICAL CHARACTERISTICS

| | |
|-------------------------------|------|
| Impact resistance rating (IK) | IK08 |
| IP | 67 |

1637 - Starled - with eyelid shield

Code: 530770-00

MATERIALS AND COLOURS



[DOWNLOAD](#)

DESIGNS

[TechnicalDrawing 1637.dxf](#)



| | |
|-----------|--|
| Housing | in glass sphere nylon, shatterproof, frame in die-cast aluminium. |
| Diffuser | matt glass, resistant to thermal shock and impact (UNI EN 12150-1:2001). |
| Coating | the fully automated powder-coating cycle involves a polyester-based, salt-spray corrosion-resistant and UV-stabilised paint. |
| Colour | Grey |
| Equipment | silicone and EPDM rubber sealing gasket. |

STANDARDS AND COMPLIANCE

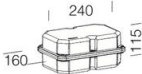
| | |
|------------------------------|---|
| Photobiological safety class | RG0 |
| Markings and tests | CE |
| Reference standards | EN60598-1. They have a degree of protection according to the EN60529 standard. |
| Laboratory Tests | the luminaire passed the static load resistance test (EN 60598-2-13) with an applied weight of 40KN equal to 2000 kg. |
| Energy Label | D |

WARRANTY

| | |
|----------------------|------|
| After sales warranty | 3 yr |
|----------------------|------|

1637 - Starled - with eyelid shield

Code: 530770-00



179 IP677 CC wiring