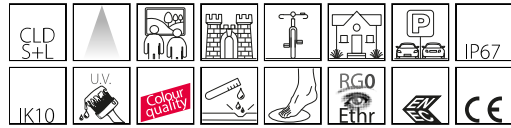


1872 - Midifloor

Code: 530792-00



Accent lighting emphasises details and adds a third dimension to objects. Works well in both classic and modern styles producing the same effect.



GENERAL INFORMATION

| | |
|---------|------------------|
| Article | 1872 - Midifloor |
| Code | 530792-00 |

DIMENSIONS AND WEIGHT

| | |
|-------------------|--------|
| Height (mm) | 100 mm |
| Diameter (Ø) (mm) | 140 mm |
| Weight (Kg) | 1.1 kg |

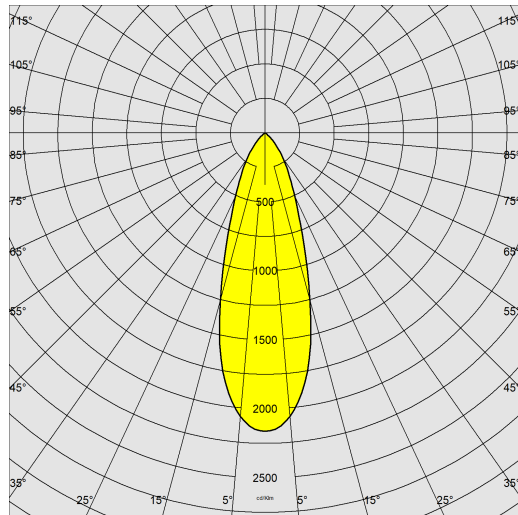
ELECTRICAL CHARACTERISTICS AND CONTROLS

| | |
|------------------|-----------|
| Voltage type | DC |
| Min Voltage (V) | 12 V |
| Max Voltage (V) | 12 V |
| Frequency (Hz) | 0 Hz |
| Wiring name | CLD-S+L |
| Power factor | ≥0.95 |
| Insulation class | Class III |
| Controllability | None |

1872 - Midifloor

Code: 530792-00

PHOTOMETRIC DATA



| | |
|------------------------------|----------------------|
| Lighting source | LED |
| CRI | ≥80 |
| Luminous flux (output) (lm) | 177 lm |
| Power absorption (total) (W) | 4 W |
| CCT | 2700 K |
| Luminous efficacy (lm/W) | 44 lm/W |
| Beam angle | 25 ° |
| LED flux maintenance | 50000 hr, L 70, B 50 |

MECHANICAL CHARACTERISTICS

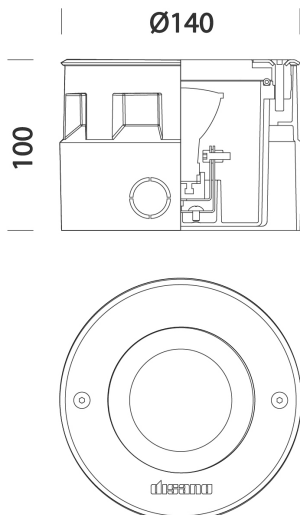
| | |
|-------------------------------|---------|
| Impact resistance rating (IK) | IK10 |
| Max load | 3000 kg |
| Walkover | True |
| Driveover | True |
| IP | 67 |



1872 - Midifloor

Code: 530792-00

MATERIALS AND COLOURS



| | |
|-----------|--|
| Housing | in die-cast aluminium with outer shell in fibreglass nylon, frame in AISI 316L stainless steel. |
| Optics | in high-performance metallised polycarbonate. |
| Diffuser | tempered glass, resistant to thermal shock and impact (UNI EN 12150-1:2001). |
| Colour | Stainless steel |
| Equipment | <ul style="list-style-type: none"> - standard with flush-mounted boxes. - silicone rubber sealing gasket. - in fibreglass nylon cable gland diam. 1/2 inch gas. - anti-seize bolts |

driveway lamp. Keep clear.

STANDARDS AND COMPLIANCE

| | |
|------------------------------|--|
| Photobiological safety class | RG0 Ethr |
| Markings and tests | CE, ENEC |
| Reference standards | EN60598-1. They have a degree of protection according to the EN60529 standard. |
| Energy Label | E |

DOWNLOAD

MOUNTS

[AssemblyInstructions midifloor 10-22.pdf](#)

DESIGNS

[BIM 1872 Midifloor-fixed-COB 02-24](#)

[TechnicalDrawing 1871-1872.dxf](#)



GEAR

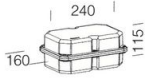
| | |
|--------------|---|
| Upon request | Cod. 530791-00 AC220/240V - 50/60Hz Cod. 530792-00 ACC. 179 Cod. 997661-00 MAX 7 @ 350mA Cod. 530793-00 ACC. 179 Cod. 997663-00 MAX 3 @ 350mA |
|--------------|---|

WARRANTY

| | |
|----------------------|------|
| After sales warranty | 3 yr |
|----------------------|------|

1872 - Midifloor

Code: 530792-00



179 IP677 CC wiring