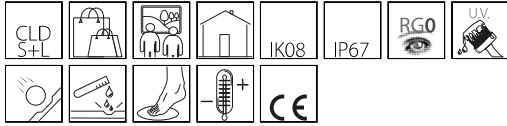


1638 - Starled LED - cross

Code: 530870-00



1638 Starled LED - A croce



GENERAL INFORMATION

Article	1638 - Starled LED - cross
Code	530870-00

DIMENSIONS AND WEIGHT

Height (mm)	112 mm
Diameter (Ø) (mm)	95 mm
Weight (Kg)	0.145 kg

ELECTRICAL CHARACTERISTICS AND CONTROLS

Voltage type	AC
Voltage (V)	230 V
Frequency (Hz)	0 Hz
Wiring name	CLD-S+L
Wiring	power supply 220-240V 50/60Hz with external transformer acc. 179. Cable with insulation class 3.
Power factor	≥0.9
Insulation class	Class III
Controllability	None

1638 - Starled LED - cross

Code: 530870-00

PHOTOMETRIC DATA



Lighting source	LED
CRI	75
Luminous flux (output) (lm)	140 lm
Power absorption (total) (W)	1 W
CCT	4000 K
LED flux maintenance	50000 hr, L 70, B 50

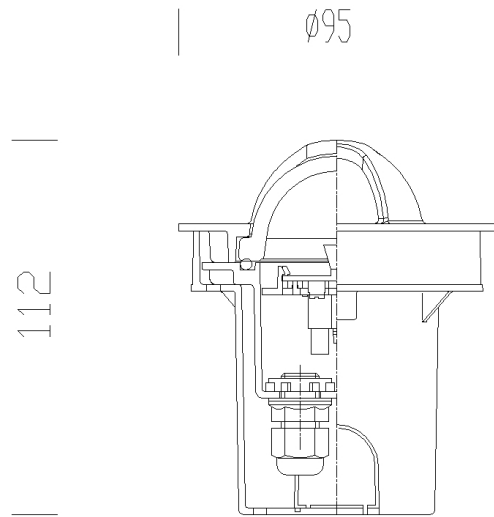
MECHANICAL CHARACTERISTICS

Impact resistance rating (IK)	IK08
IP	67

1638 - Starled LED - cross

Code: 530870-00

MATERIALS AND COLOURS



Housing	in glass sphere nylon, shatterproof, frame in die-cast aluminium.
Diffuser	matt glass, resistant to thermal shock and impact (UNI EN 12150-1:2001).
Coating	pre-treatment of metal surface, polyester powder coating to ensure resistance to corrosion and salt spray fogs, UV stabilised.
Colour	Grey
Equipment	silicone and EPDM rubber sealing gasket.
driveway lamp. Keep clear.	

STANDARDS AND COMPLIANCE

Photobiological safety class	RG0
Markings and tests	CE
Reference standards	EN60598-1. With degree of protection according to EN60529.
Laboratory Tests	the luminaire passed the static load resistance test (EN 60598-2-13) with an applied weight of 40KN equal to 2000 kg.
Energy Label	D

DOWNLOAD

MOUNTS

[AssemblyInstructions 1622-37-38 07-23.pdf](#)

DESIGNS

[TechnicalDrawing 1638.dxf](#)

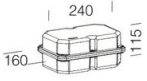
WARRANTY

After sales warranty	3 yr
----------------------	------



1638 - Starled LED - cross

Code: 530870-00



179 IP677 CC wiring