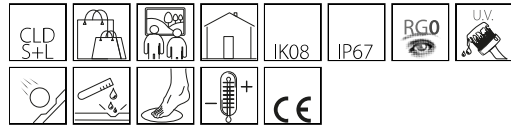


## 1638 - Starled - cross

Code: 530871-00

### GENERAL INFORMATION



Article	1638 - Starled - cross
Code	530871-00

### DIMENSIONS AND WEIGHT

Height (mm)	112 mm
Diameter (Ø) (mm)	95 mm
Weight (Kg)	0.2 kg

### ELECTRICAL CHARACTERISTICS AND CONTROLS

Voltage type	AC
Voltage (V)	230 V
Frequency (Hz)	0 Hz
Wiring name	CLD-S+L
Wiring	power supply 220-240V 50/60Hz with external transformer acc. 179. Cable with insulation class 3.
Power factor	≥0.9
Insulation class	Class III
Controllability	None



Starled is a family of in-ground recessed LED fixtures designed to offer maximum versatility. Available in round and square versions, with different types of lenses, it allows the light output to be tailored to any design requirement. Ideal for enhancing pathways, façades, and outdoor spaces, it ensures durability, reliability, and precise, controlled lighting. A complete solution that combines flexibility, quality, and design.



## 1638 - Starled - cross

Code: 530871-00

### PHOTOMETRIC DATA



Lighting source	LED
CRI	75
Luminous flux (output) (lm)	140 lm
Power absorption (total) (W)	1 W
CCT	4000 K
LED flux maintenance	50000 hr, L 70, B 50

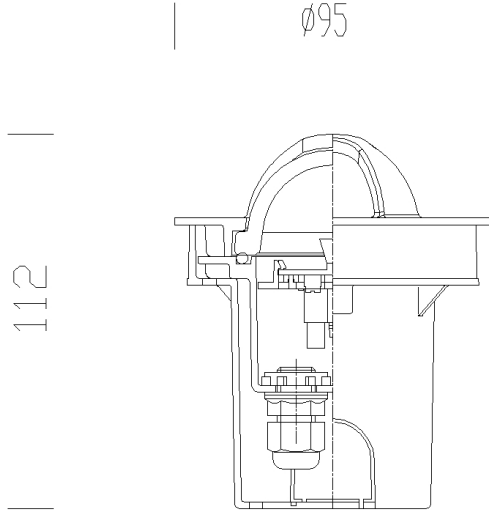
### MECHANICAL CHARACTERISTICS

Impact resistance rating (IK)	IK08
IP	67

## 1638 - Starled - cross

Code: 530871-00

### MATERIALS AND COLOURS



[DOWNLOAD](#)

DESIGNS

[TechnicalDrawing 1638.dxf](#)



Housing	in glass sphere nylon, shatterproof, frame in die-cast aluminium.
Diffuser	matt glass, resistant to thermal shock and impact (UNI EN 12150-1:2001).
Coating	the fully automated powder-coating cycle involves a polyester-based, salt-spray corrosion-resistant and UV-stabilised paint.
Colour	Graphite
Equipment	silicone and EPDM rubber sealing gasket.
driveway lamp. Keep clear.	

### STANDARDS AND COMPLIANCE

Photobiological safety class	RG0
Markings and tests	CE
Reference standards	EN60598-1. They have a degree of protection according to the EN60529 standard.
Laboratory Tests	the luminaire passed the static load resistance test (EN 60598-2-13) with an applied weight of 40KN equal to 2000 kg.
Energy Label	D

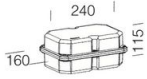
### WARRANTY

After sales warranty	3 yr
----------------------	------

## 1638 - Starled - cross

---

Code: 530871-00



**179 IP677 CC wiring**