

## 116 - Angle support

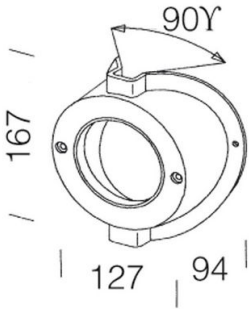
Code: 991332-00

### GENERAL INFORMATION

Article	116 - Angle support
Code	991332-00

### DIMENSIONS AND WEIGHT

Weight (Kg)	0.1 kg
-------------	--------



in glass fibre-reinforced nylon. Allows the installation on external angle surfaces.



## 116 - Angle support

---

Code: 991332-00



## 116 - Angle support

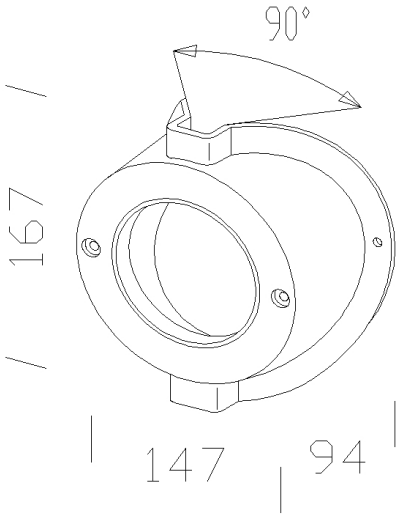
Code: 991332-00

### MATERIALS AND COLOURS

Housing	in glass fibre-reinforced nylon. Allows the installation on external angle surfaces.
Coating	epoxy cataphoresis coated.
Colour	Black

### WARRANTY

After sales warranty	0 yr
----------------------	------



### DOWNLOAD

#### DESIGNS

TechnicalDrawing acc116.dxf



## 116 - Angle support

Code: 991332-00



1515 Elfo - DIP SWITCH - FL



1564 Elfo - DIP SWITCH - FS



1537 Koala - COB



1537 Koala ES



1523 Elfo - DIP SWITCH with rods



1539 Elfo RGBW - DMX RDM



1220 Dafne



1515 Elfo Amber - FL



1564 Elfo Amber - FS