

290 - Joint 60

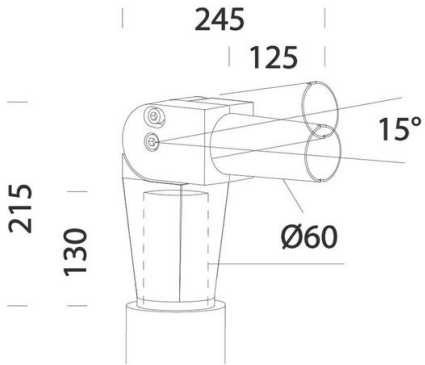
Code: 991439-00

GENERAL INFORMATION

Article	290 - Joint 60
Code	991439-00

DIMENSIONS AND WEIGHT

Weight (Kg)	1.868 kg
-------------	----------



in aluminium. To be used for installation on poles with Ø60 end caps. Always use on poles 1477/1478 and 1485/1487.



290 - Joint 60

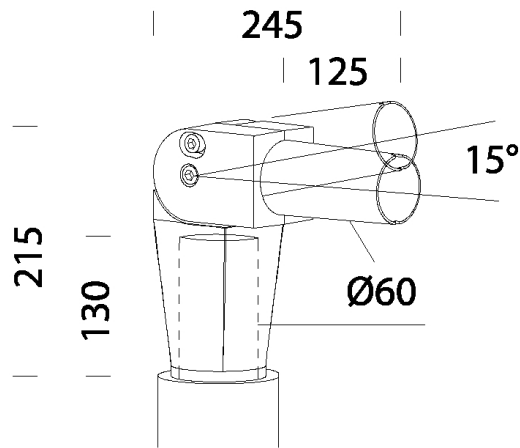
Code: 991439-00



290 - Joint 60

Code: 991439-00

MATERIALS AND COLOURS



Housing	in aluminium. To be used for installation on poles with Ø60 end caps. Always use on poles 1477/1478 and 1485/1487.
Coating	epoxy cataphoresis coated.
Colour	Graphite

WARRANTY

After sales warranty	0 yr
----------------------	------

DOWNLOAD

DESIGNS

TechnicalDrawing 289.dxf



290 - Joint 60

Code: 991439-00



3331 Disco 2 - wide beam