

## 2518 - Simple suspension

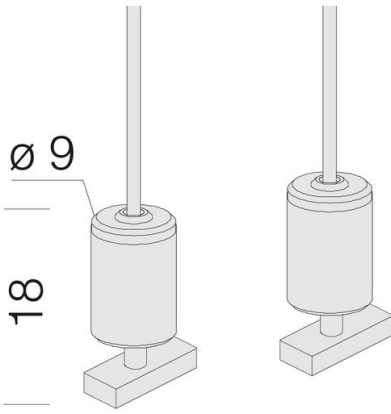
Code: 994019-00

### GENERAL INFORMATION

Article	2518 - Simple suspension
Code	994019-00

### DIMENSIONS AND WEIGHT

Height (mm)	1500 mm
Diameter (Ø) (mm)	9 mm
Weight (Kg)	0.1 kg



Supplied with steel wire (L=1,50m) and millimetre adjustment device (2pcs).



# 2518 - Simple suspension

---

Code: 994019-00



## 2518 - Simple suspension

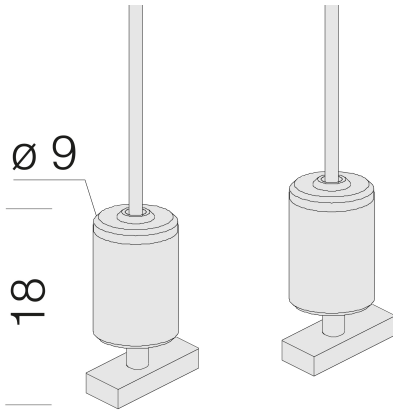
Code: 994019-00

### MATERIALS AND COLOURS

Housing	Supplied with steel wire (L=1,50m) and millimetre adjustment device (2pcs).
Colour	Nickel

### WARRANTY

After sales warranty	0 yr
----------------------	------



### DOWNLOAD

#### MOUNTS

[AssemblyInstructions 2518 04-25.pdf](#)

#### DESIGNS

[TechnicalDrawing 2518g.dxf](#)

