

334 - Connection for diam. 76 pole

Code: 997916-00

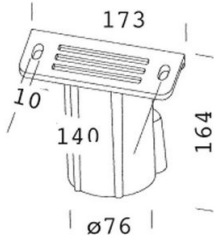
GENERAL INFORMATION



Article	334 - Connection for diam. 76 pole
Code	997916-00

DIMENSIONS AND WEIGHT

Length (mm)	173 mm
Width (mm)	76 mm
Height (mm)	164 mm
Weight (Kg)	0.8 kg



in aluminium. Allows installation on Ø 76 poles.



334 - Connection for diam. 76 pole

Code: 997916-00



334 - Connection for diam. 76 pole

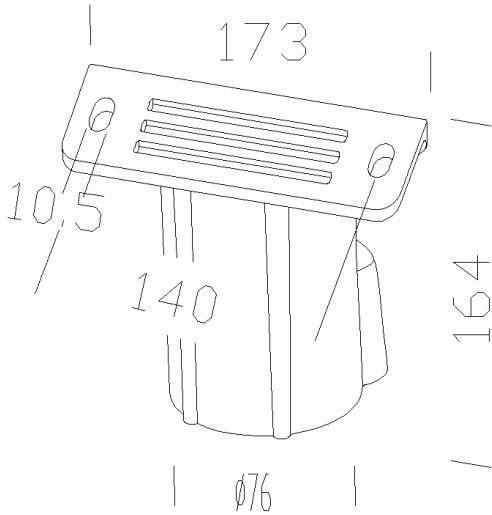
Code: 997916-00

MATERIALS AND COLOURS

Housing	in aluminium. Allows installation on \varnothing 76 poles.
Pole connection	76mm
Colour	Graphite

WARRANTY

After sales warranty	0 yr
----------------------	------



[DOWNLOAD](#)

DESIGNS

[TechnicalDrawing 334.dxf](#)



334 - Connection for diam. 76 pole

Code: 997916-00



1887 Rodio LED - asymmetric



1888 Rodio LED - symmetric narrow beam



1890 Rodio LED - symmetric wide beam



1891 Rodio LED - symmetric wide beam



1892 Rodio LED - street optics



1887 Mini Rodio - asymmetric



1888 Mini Rodio - symmetric narrow beam



1890 Mini Rodio - symmetric wide beam



1891 Mini Rodio - symmetric wide beam



1998 Mini Rodio - COB asymmetric



1999 Mini Rodio - COB symmetric



1887 Rodio LED HP - asymmetric



1888 Rodio LED HP - symmetric narrow beam



1890 Rodio LED HP - symmetric wide beam

334 - Connection for diam. 76 pole

Code: 997916-00



1891 Rodio LED HP - symmetric wide beam



1897 Rodio HP - COB symmetric



1898 Rodio HP - COB asymmetric



1224 Cromo - asymmetric 55°



1225 Cromo - asymmetric 60°



1226 Cromo - symmetric 'MS'



1227 Cromo - symmetric 'M'



1228 Cromo - symmetric 'W'



1229 Cromo - symmetric 'XW'



1897 Rodio - COB symmetric



1898 Rodio - COB asymmetric



1893 Rodio - street optics - large areas



1887 Rodio HE - asymmetric



1891 Rodio HE - symmetric wide beam