

200 - Bracket for continuous line

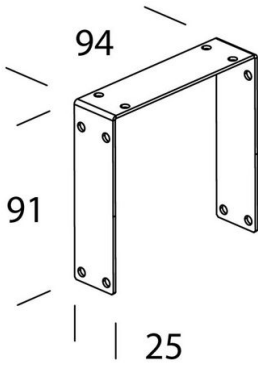
Code: 998011-00

GENERAL INFORMATION

Article	200 - Bracket for continuous line
Code	998011-00

DIMENSIONS AND WEIGHT

Length (mm)	94 mm
Width (mm)	25 mm
Height (mm)	91 mm
Weight (Kg)	0.1 kg



in steel. Always use to make continuous light lines.



200 - Bracket for continuous line

Code: 998011-00



200 - Bracket for continuous line

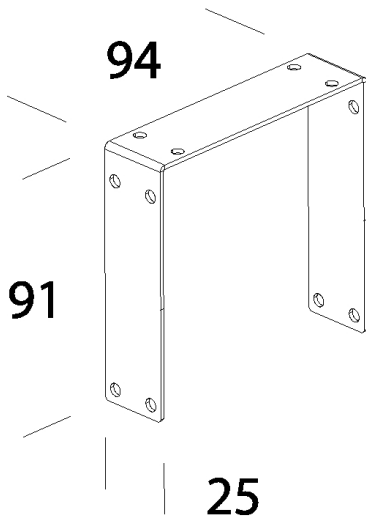
Code: 998011-00

MATERIALS AND COLOURS

Housing	in steel. Always use to make continuous light lines.
Coating	painted with epoxy cataphoresis.
Colour	Galvanised

WARRANTY

After sales warranty	0 yr
----------------------	------



DOWNLOAD

DESIGNS

TechnicalDrawing 200.dxf

