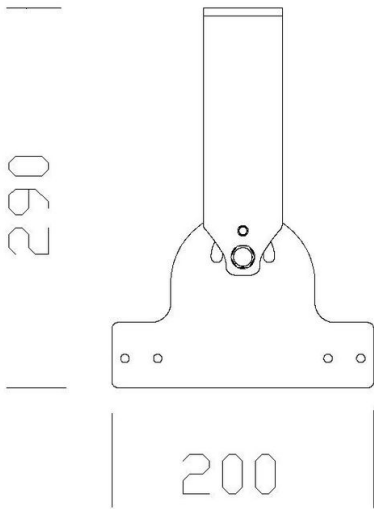


530 - Adjustable bracket

Code: 998099-00



GENERAL INFORMATION

Article	530 - Adjustable bracket
Code	998099-00

DIMENSIONS AND WEIGHT

Weight (Kg)	2.006 kg
-------------	----------

ELECTRICAL CHARACTERISTICS AND CONTROLS

Wiring	S
--------	---

530 Staffa orientabile



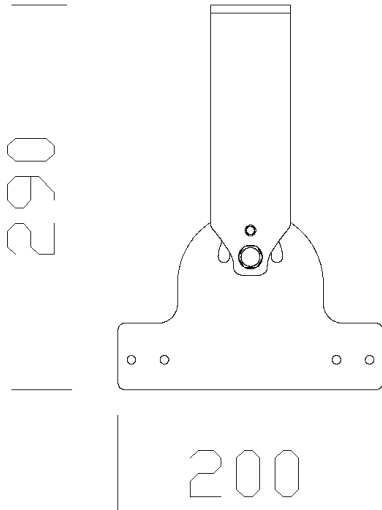
530 - Adjustable bracket

Code: 998099-00



530 - Adjustable bracket

Code: 998099-00



[DOWNLOAD](#)

DESIGNS

[TechnicalDrawing 530.dxf](#)



MATERIALS AND COLOURS

Housing	in stainless steel, allows suspension and rotation. For ceiling or wall mounting.
Coating	epoxy cataphoresis coated.
Colour	Stainless steel

STANDARDS AND COMPLIANCE

Markings and tests	CE
--------------------	----

WARRANTY

After sales warranty	2 yr
----------------------	------

530 - Adjustable bracket

Code: 998099-00



3262 Modoled - LED asymmetric



3264 Modoled - LED Controflusso



3263 Modoled - LED mixed



3260 Modoled - LED