

1712 - Cripto small - symmetric

Code: 413020-39



Disano presents a lighting fixture, designed as a possible retrofit for more classic models.

The excellent performance of this luminaire in terms of energy saving and luminous efficiency is accompanied by a long lifespan, with IP66-rated materials for outdoor installations.

The most advanced technology and design are used to reduce consumption and address the increasing need to replace obsolete equipment and save energy.



GENERAL INFORMATION

Article	1712 - Cripto small - symmetric
Code	413020-39

DIMENSIONS AND WEIGHT

Length (mm)	322 mm
Width (mm)	218 mm
Height (mm)	60 mm
Weight (Kg)	2.2 kg

INSTALLATION

Surface exposed to wind (mm)	L 13500 mm ² , F 47500 mm ²
------------------------------	---

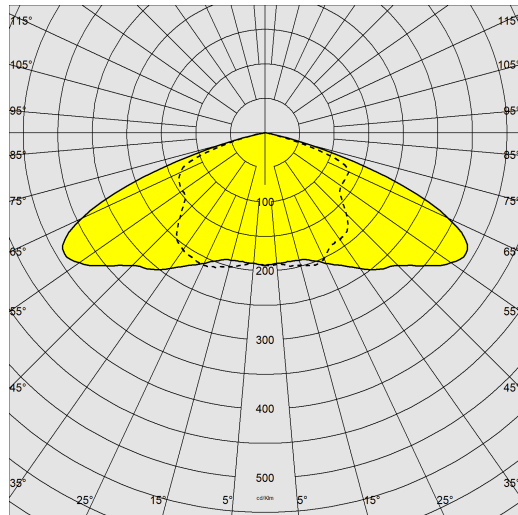
ELECTRICAL CHARACTERISTICS AND CONTROLS

Voltage type	AC
Min Voltage (V)	220 V
Max Voltage (V)	240 V
Min Frequency (Hz)	50 Hz
Max Frequency (Hz)	60 Hz
Frequency (Hz)	50 Hz
Wiring name	CLD
Power factor	≥0.9
Insulation class	Class II
Controllability	None

1712 - Cripto small - symmetric

Code: 413020-39

PHOTOMETRIC DATA



Lighting source	LED
CRI	80
Luminous flux (output) (lm)	3289 lm
Power absorption (total) (W)	28 W
CCT	3000 K
Luminous efficacy (lm/W)	117 lm/W
Low Flicker	luminaire with very low flicker: evenly distributed light for greater visual safety.
LED flux maintenance	80000 hr, L 80, B 10

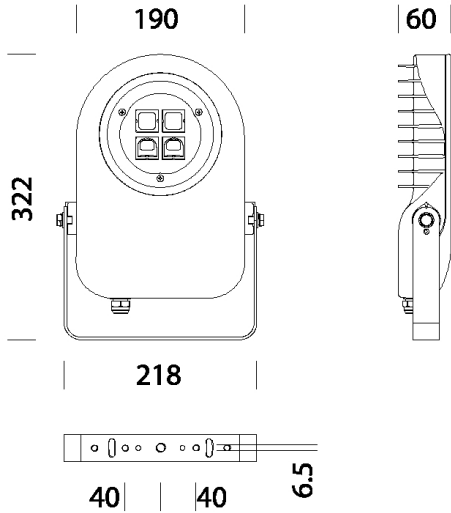
MECHANICAL CHARACTERISTICS

Impact resistance rating (IK)	IK08
IP	66
Ambient temperature - min	-20 °C
Ambient temperature - max	40 °C

1712 - Cripto small - symmetric

Code: 413020-39

MATERIALS AND COLOURS



DOWNLOAD

MOUNTS

[AssemblyInstructions cripto 12-23.pdf](#)

DESIGNS

[TechnicalDrawing 1711.dxf](#)



Housing	in die-cast aluminium, with cooling fins.
Optics	in high-performance PMMA resistant to high temperatures and UV rays.
Diffuser	tempered glass, 4 mm thick, resistant to thermal shock and impact (UNI EN 12150-1:2001).
Heat sink	the heat sink is designed and made to allow the LEDs to operate at temperatures capable of ensuring excellent performance/output and long service life.
Coating	pre-treatment of metal surface, polyester powder coating to ensure resistance to corrosion and salt spray fogs, UV stabilised.
Special coating (UPON REQUEST)	upon request: available with coating tested to withstand corrosion tests in aggressive artificial atmospheres (UNI EN ISO 9227) or marine environments (sea front).
Colour	Graphite
Equipment	<ul style="list-style-type: none"> - with galvanised and painted bracket - cable for electrical connection - EN 61547 compliant surge protection - silicone rubber gasket - external screws and bolts in stainless steel.

STANDARDS AND COMPLIANCE

Photobiological safety class	RG0 Ethr
Markings and tests	CE, ENEC
Reference standards	EN60598-1. With degree of protection according to EN60529.
Energy Label	E

GEAR

Upon request	<ul style="list-style-type: none"> - protection of up to 10kV - AMBER LED 2200K subcode -73 - CLD-D (1-10V) wiring, subcode -12 - CLD-D-D (DALI) wiring, subcode -0041 - possibility of central light management or with external presence/light sensors.
--------------	--

WARRANTY

After sales warranty	5 yr
----------------------	------

1712 - Cripto small - symmetric

Code: 413020-39

