

371 - Plug for quick connection

Code: 998045-00

GENERAL INFORMATION

Article	371 - Plug for quick connection
Code	998045-00



in polycarbonate. To be used for continuous line with cable.
Cable gland with incoming cable of 16A min. Ø 9 max Ø12 mm.
Package containing 10 pieces.
998045-00: 5P



371 - Plug for quick connection

Code: 998045-00



371 - Plug for quick connection

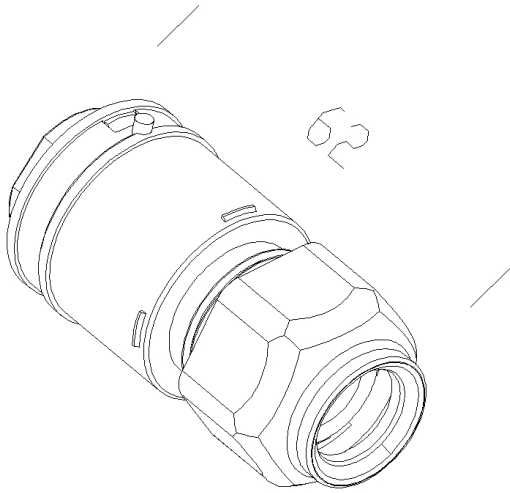
Code: 998045-00

STANDARDS AND COMPLIANCE

Markings and tests	CE
--------------------	----

WARRANTY

After sales warranty	0 yr
----------------------	------



DOWNLOAD

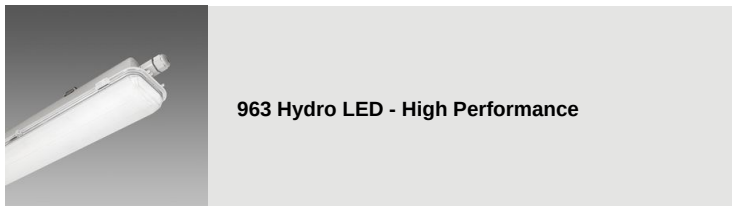
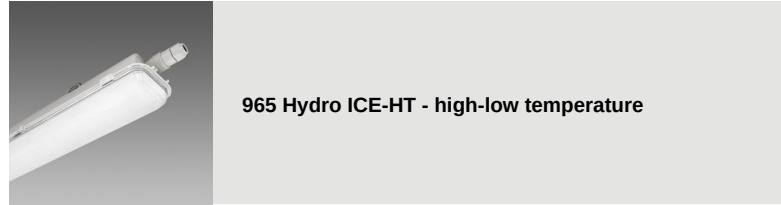
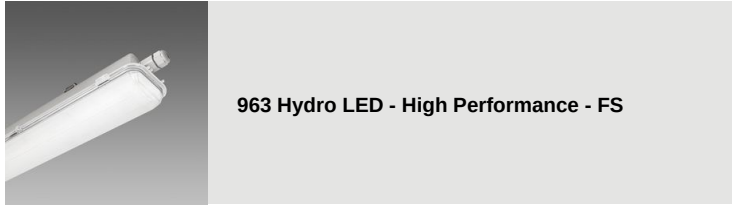
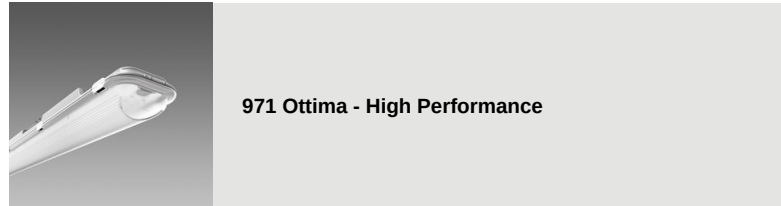
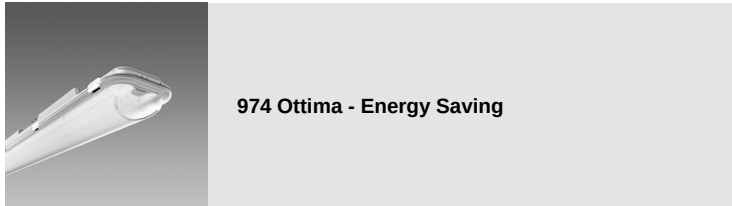
DESIGNS

TechnicalDrawing 371.dxf



371 - Plug for quick connection

Code: 998045-00



371 - Plug for quick connection

Code: 998045-00



957 Echo FS - two lamp LED - High Performance



958 Echo PARKING - double LED module